

Flanged Ball Valve For Automation



Features

- ◆ Original design, combines the advantages of flanged ball valves, suitable for various types of actuators
- ◆ All-plastic design, no bracket and connection sleeve required for actuator mounting. We can also provide all-plastic brackets and connection sleeves to allow smaller pneumatic/electric actuators to be mounted directly on the valve
- ◆ Four hole positioning, bolt-nut connection, strength and stability significantly better than two-hole positioning or self-tapping screw positioning
- ◆ PVDF wrapped metal stem with excellent mechanical strength even under severe service conditions

Ball Valve Torque Reference Table

Size	Safety Torque
15	≤ 10
20	≤ 10
25	≤ 10
32	12
40	15
50	20
65	40
80	45
100	65
125	85
150	130
200	250
250	400
300	800

Safety factor 1.2-2

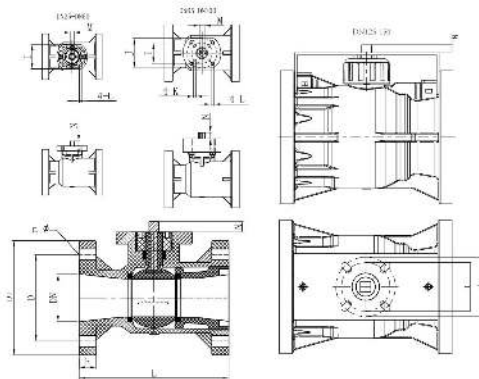
(mm) Dimensions Table (mm)

DN	D1 (mm)	D (mm)			L (mm)	b (mm)	n			Φ (mm)				I (mm)	J (mm)	M (mm)	N (mm)
		DIN	JIS	ANSI			HG/DIN	JIS	ANSI	HG/DIN	JIS	ANSI					
15	95	65	70	60	100	15	4	4	4	14	15	16	70	/	11	11	
20	105	75	75	70	120	17	4	4	4	14	15	16	70	/	11	11	
25	115	85	90	79	140	17	4	4	4	14	15	16	70	50#	11/14*	11	
32	135	100	100	89	160	18	4	4	4	18	19	16	70	50#	11/14*	11	
40	145	110	105	98	165	18	4	4	4	18	19	16	70	/	14/17*	17	
50	160	125	120	121	180	20	4	4	4	18	19	19	70	/	14/17*	17	
65	180	145	140	140	220	22	4	4	4	18	19	19	70	102	14/17	21	
80	195	160	150	152	250	25	8	8	4	18	19	19	70	102	14/17	21	
100	215	180	175	190	280	25	8	8	8	18	19	19	70	102	17/22	24	
125	245	210	210	216	325	30	8	8	8	18	19	22	102	125	22/27*		
150	280	240	240	241	365	30	8	8	8	22	23	22	102	125	22/27*		
200	335	295	290	298	405	35	8	12	8	22	23	22	125	/	22/27*		
250	400	350	355	362	500	38	12	12	12	22	25	26	125	/	22/27*		
300	455	400	400	432	600	40	12	16	12	22	25	26					

*Indicates that the connection size is square, which can be added into 8 angles.

#Indicates that an attachment bracket is required

For more dimensions, please refer to the manual: flanged ball valve detail page.



Pneumatic Flanged Ball Valve

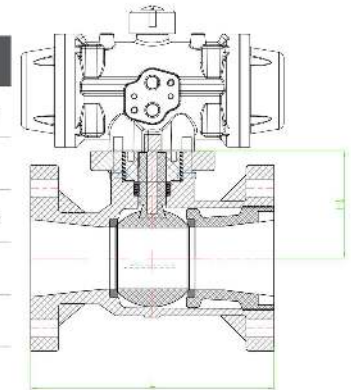


Features

- ◆ Original design, combines the advantages of flanged ball valves
- ◆ Various options can be easily installed or removed and can be mounted later.
- ◆ Compared with metal automatic ball valves such as stainless steel, plastic automatic ball valves are light in weight, good in corrosion resistance, easy to operate when replacing plastic valve bodies, easy to maintain and install, and cost-effective.
- ◆ All-plastic pneumatic actuators can be selected, which are more corrosion-resistant and lighter.

Optional Parameter List

Body Material	Connection Standard	Action	Action Material	Option	Else
FRPP	HG	Double Acting	Aluminum alloy	Limit Switch	Anti explosion
PPH	DIN	Air to Close PN10	Stainless steel	Solenoid valve	ban copper and zinc
CPVC	ANSI	Air to Open PN10	Plastic	Filter Regulator	manual device
UPVC	JIS			Positioner	
PVDF				Speed Controller	
EL-PP					



(mm) Dimensions Table (mm)

HG/DIN		15	20	25	32	40	50	65	80	100	125	150	200
H1	Standard			67	77	85	92	102	112	130	162	178	205
	Higher type			110	120	128	135	134	144	162	/	/	/
L		100	120	140	160	165	180	220	250	280	325	365	405

For more dimensions, please refer to the flanged ball valve detail page.